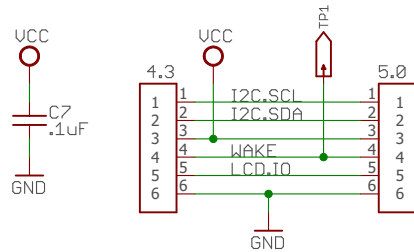
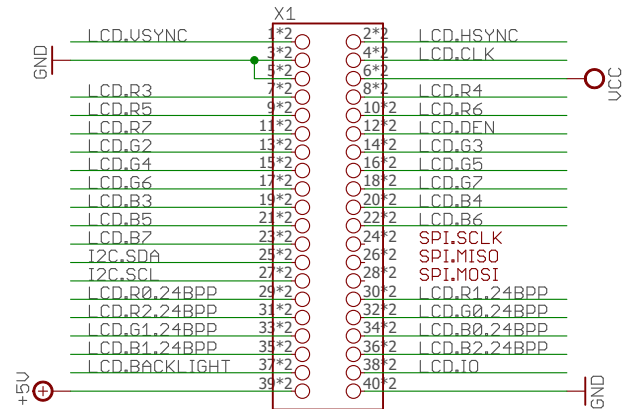
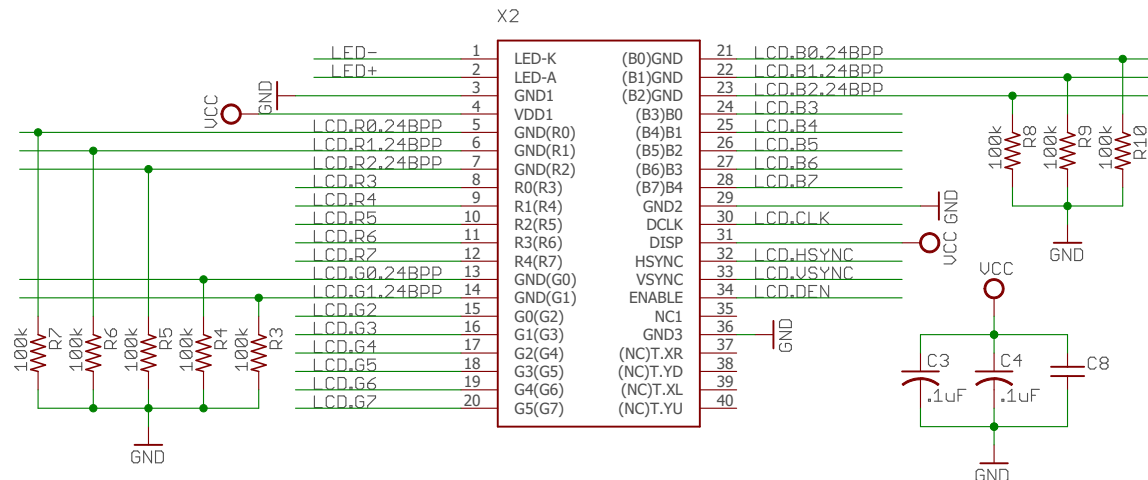


D3 (the zener diode) is not needed across the LED+ and LED- nodes as it will needlessly cause the LED Driver to heat-up forcing the voltage to stay at 33V without a load.
 For the FAN5333 driver (315mV FB), change R2 to 7.87 Ohms for 40mA (5 in display) and 21 Ohms for 15mA (4.3 in display)
 For the PT4110 driver (300mV FB), change R2 to 7.5 Ohms for 40mA (5 in display) and 20 Ohms for 15mA (4.3 in display)



LCD Pins



GHI Electronics, LLC www.GHIElectronics.com

TITLE: UD435 Copyright 2017 GHI Electronics

Document Number: REV: B

Date: not saved! Sheet: 1/1