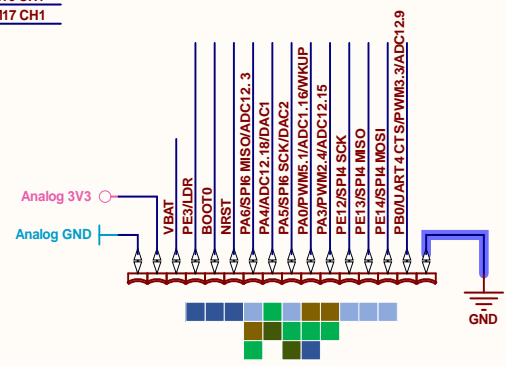
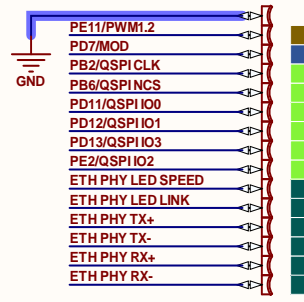
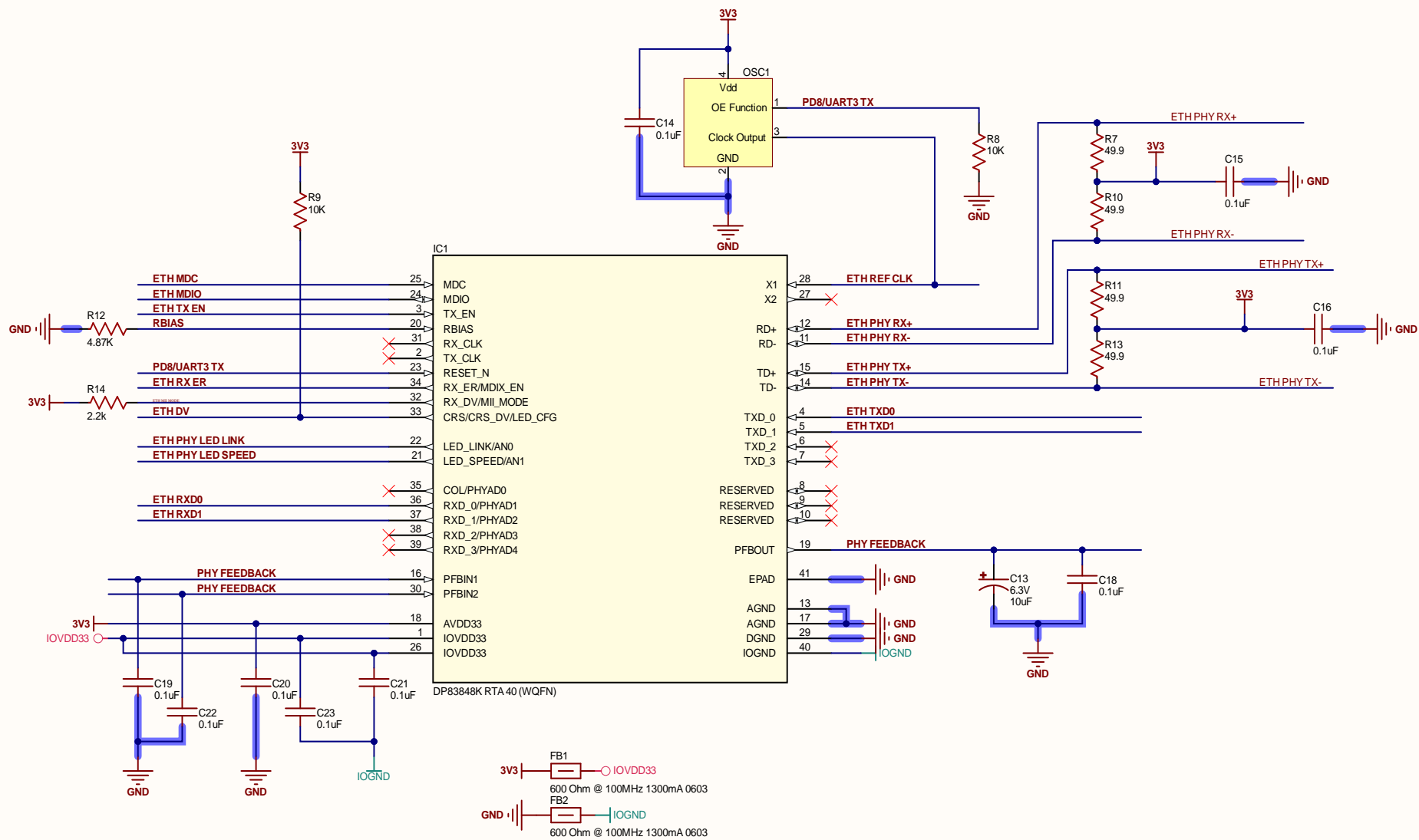


- SYSTEM
- USB
- ANALOG
- PWM
- UART
- SPI
- I2C
- CAN
- QSPI
- ETHERNET
- DAC
- SD



Title SCM20100E - IO			501 E Whitcomb Avenue Madison Heights, MI 48071 USA	
Size: A4	Number:	Revision: B		
Date: 8/05/2020	Sheet 2 of 3			
File: C:\GitHub\GHI\SCM20100E\SCM20100E-IO.SchDoc				



Title **SCM20100E - ETH**

Size: A4 Number: Revision: B
 Date: 8/05/2020 Sheet 3 of 3
 File: C:\GitHub\GHI\SCM20100E\SCM20100E-Eth.SchDoc

501 E Whitcomb Avenue
 Madison Heights, MI 48071
 USA

