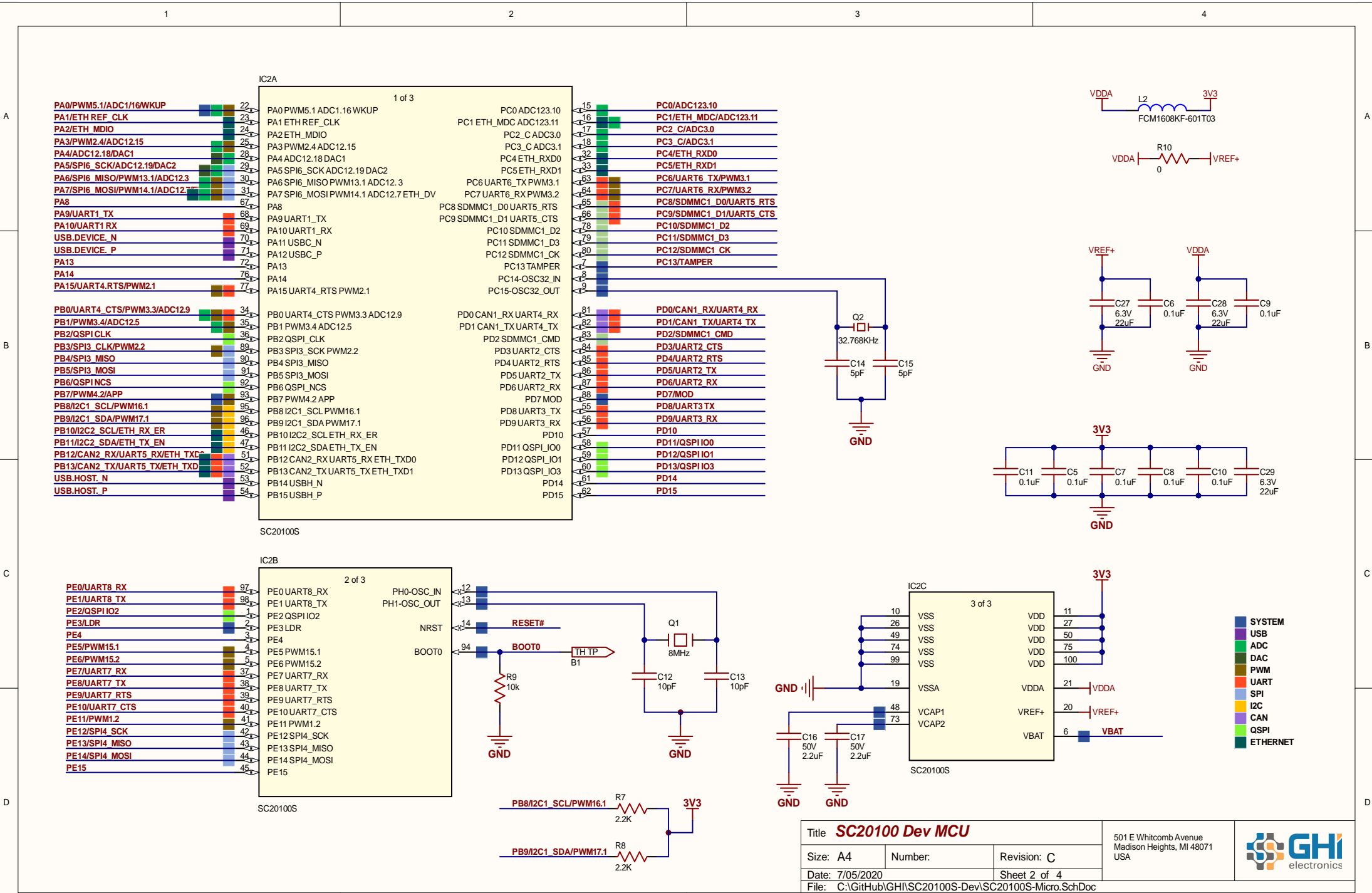


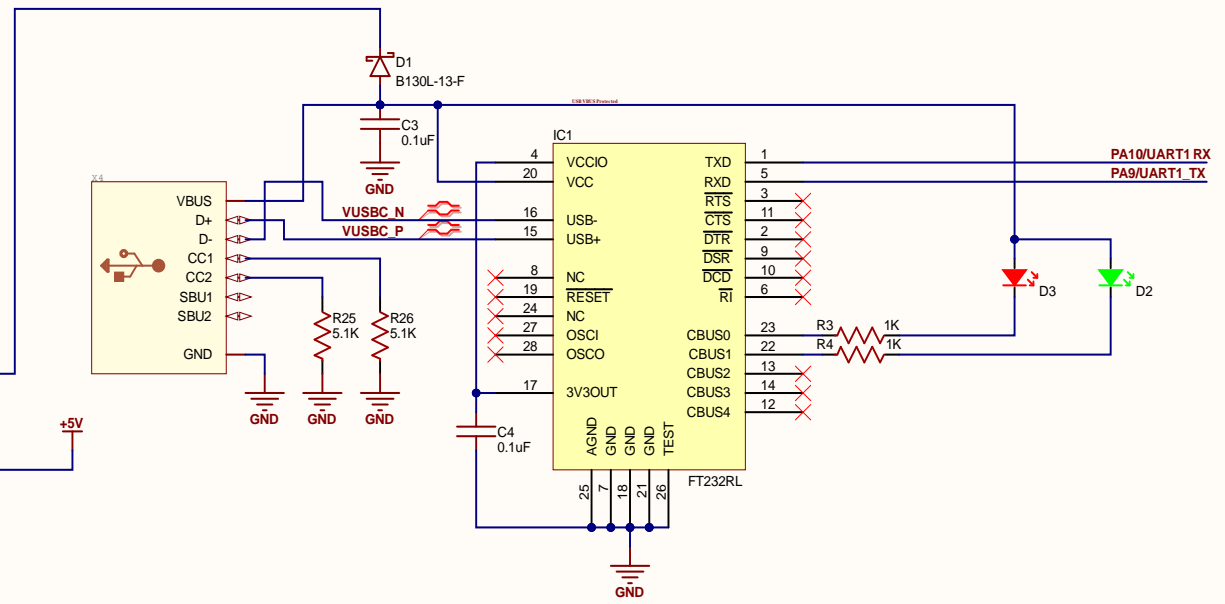
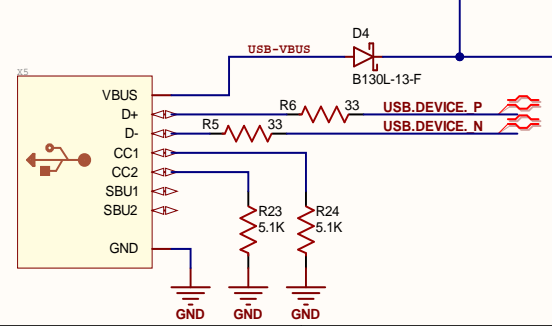
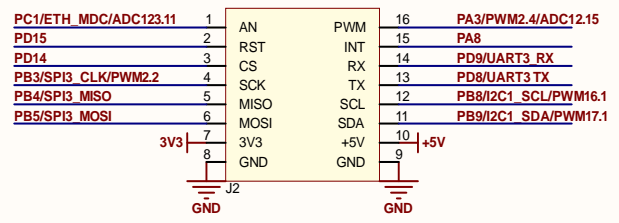
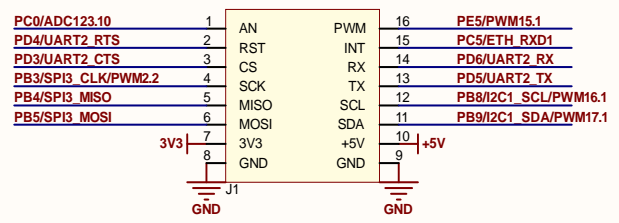
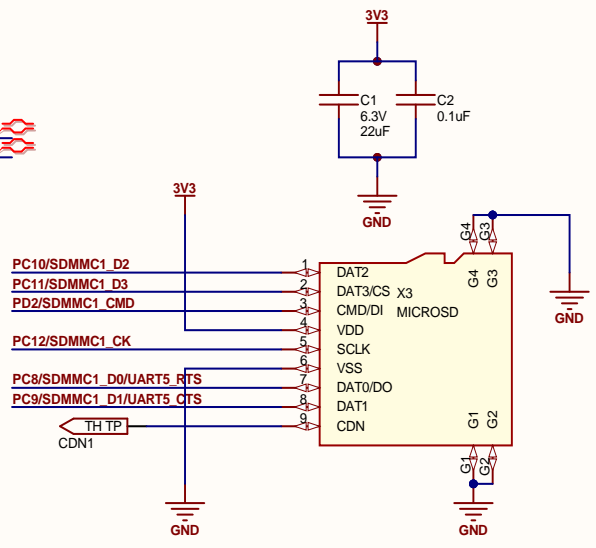
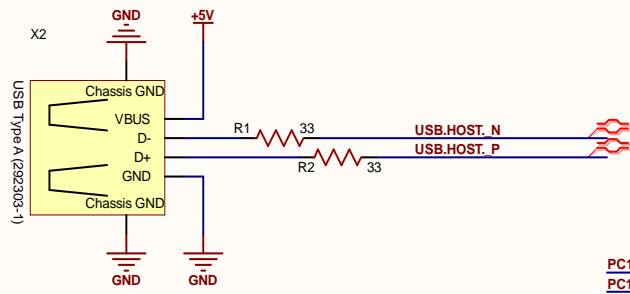
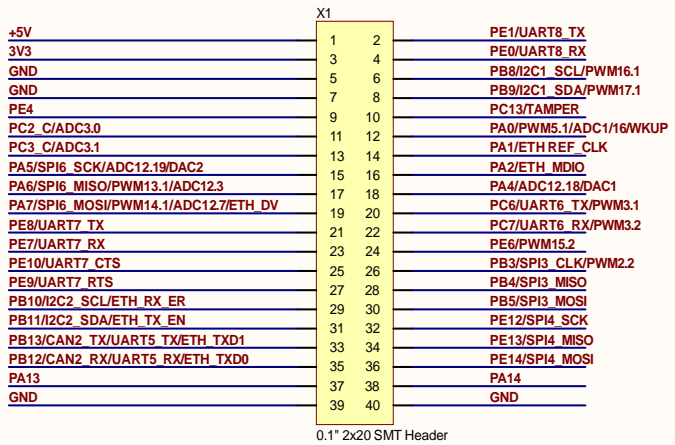
Title **SC20100 Dev Misc**

Size: A4 Number: Revision: C  
 Date: 7/05/2020 Sheet 1 of 4  
 File: C:\GitHub\GHI\SC20100S-Dev\SC20100S-Misc.SchDoc

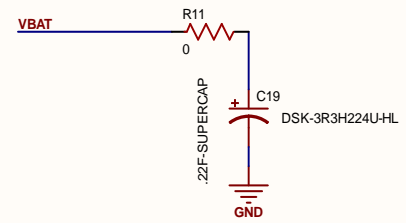
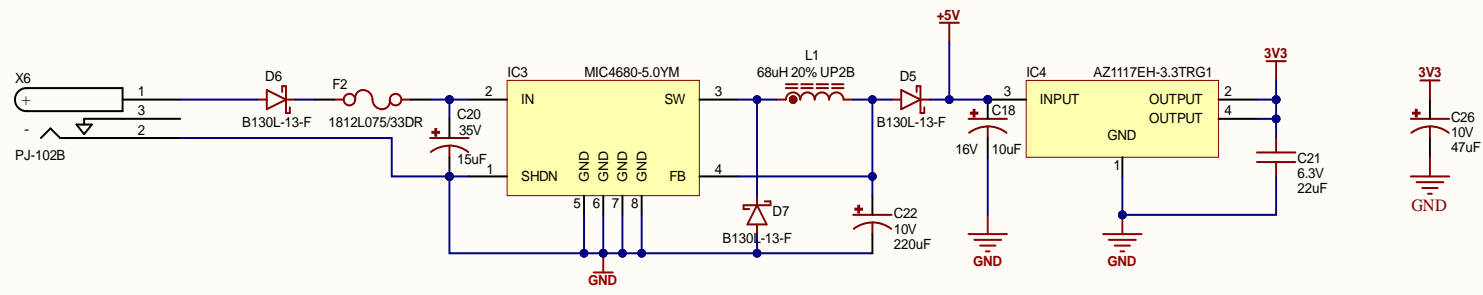
501 E Whitcomb Avenue  
 Madison Heights, MI 48071  
 USA








Title <b>SC20100 Dev Connectors</b>			501 E Whitcomb Avenue Madison Heights, MI 48071 USA	
Size: A4	Number:	Revision: C		
Date: 7/05/2020	Sheet 3 of 4			
File: C:\GitHub\GHI\SC20100S-Dev\SC20100S-Connectors.SchDoc				



Title <b>SC20100 Dev Power</b>		501 E Whitcomb Avenue Madison Heights, MI 48071 USA	
Size: A4	Number:		
Date: 7/05/2020	Sheet 4 of 4		
File: C:\GitHub\GHI\SC20100S-Dev\SC20100S-Power.SchDoc			