
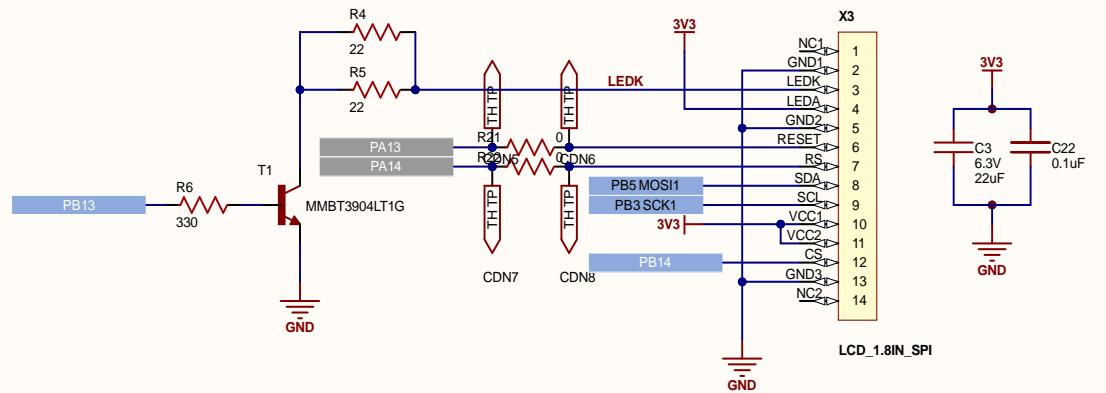
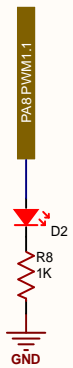
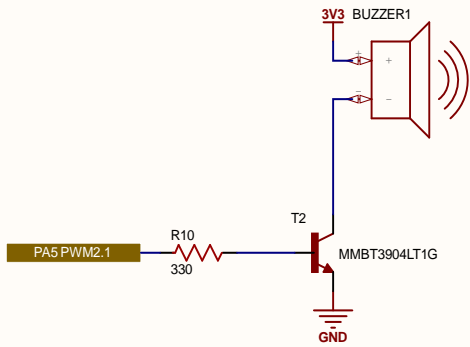
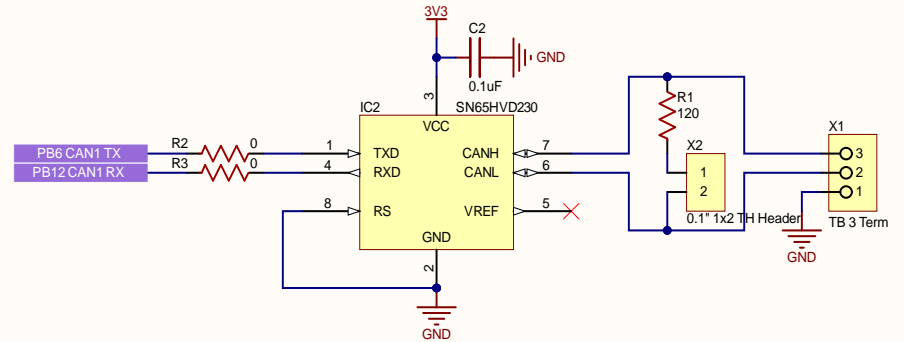
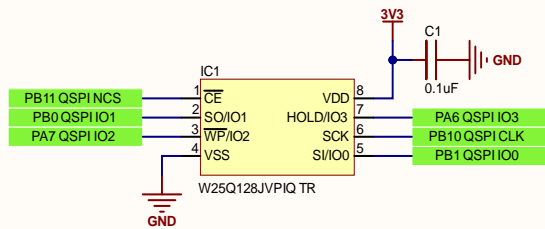
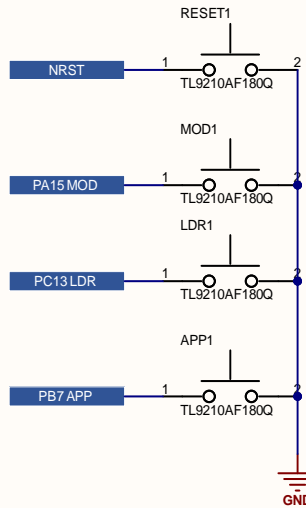


Title SC13048Q-Dev-Micro			501 E Whitcomb Avenue Madison Heights, MI 48071 USA	
Size: A4	Number:	Revision: B		
Date: 19/04/2021		Sheet 1 of 4		
File: C:\GitHub\GHI-Hardware\Altium-Projects\Dev-Boards\SC13048Q-Dev\Micro.SchDoc				



Title **SC13048Q-Dev-Misc**

501 E Whitcomb Avenue
Madison Heights, MI 48071
USA



Size: A4

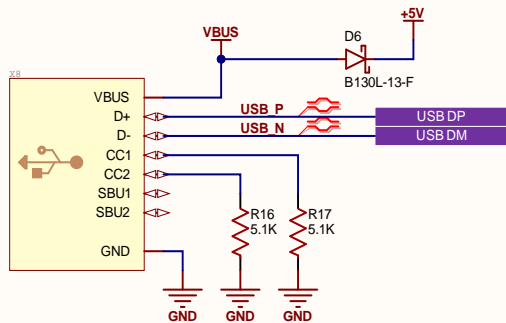
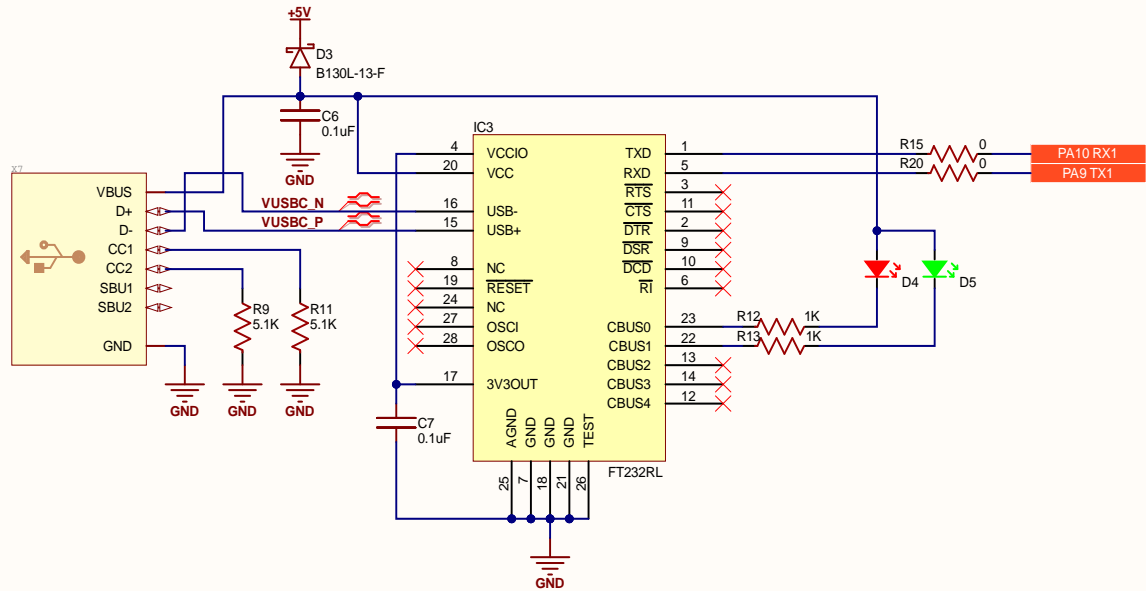
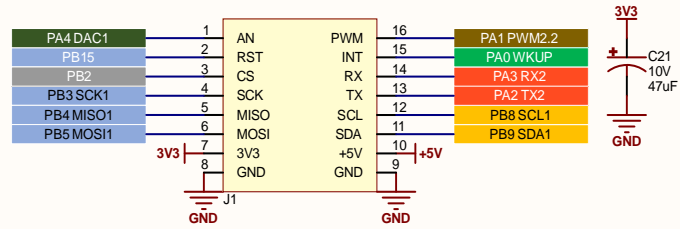
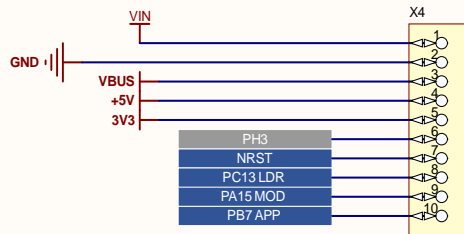
Number:

Revision: B

Date: 19/04/2021

Sheet 2 of 4

File: C:\GitHub\GHI-Hardware\Altium-Projects\Dev-Boards\SC13048Q-Dev\Misc.SchDoc



Title **SC13048Q-Dev-Connectors**

Size: A4

Number:

Revision: B

Date: 19/04/2021

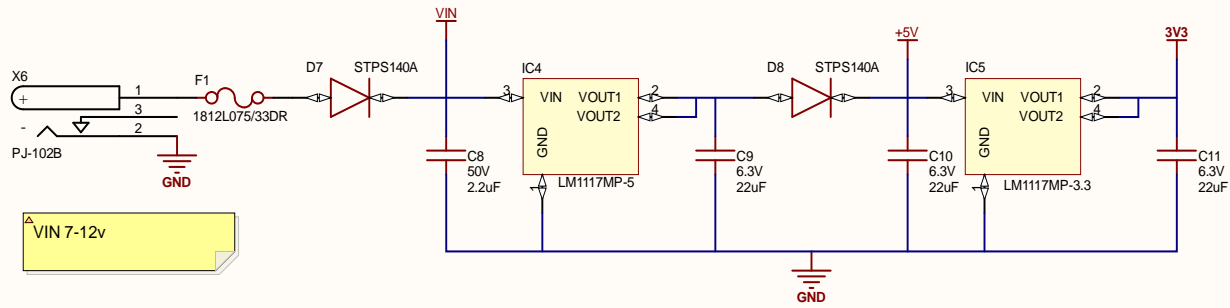
Sheet 3 of 4

File: C:\GitHub\GHI-Hardware\Altium-Projects\Dev-Boards\SC13048Q-DevConnectors.SchDoc

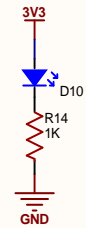
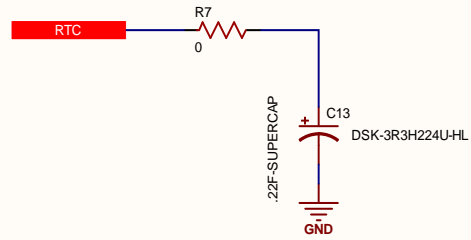
501 E Whitcomb Avenue
Madison Heights, MI 48071
USA



POWER



VIN 7-12v



Title **SC13048Q-Dev-Power**

Size: A4

Number:

Revision: B

Date: 19/04/2021

Sheet 4 of 4

File: C:\GitHub\GHI-Hardware\Altium-Projects\Dev-Boards\SC13048Q-Dev\Power.SchDoc

501 E Whitcomb Avenue
Madison Heights, MI 48071
USA

