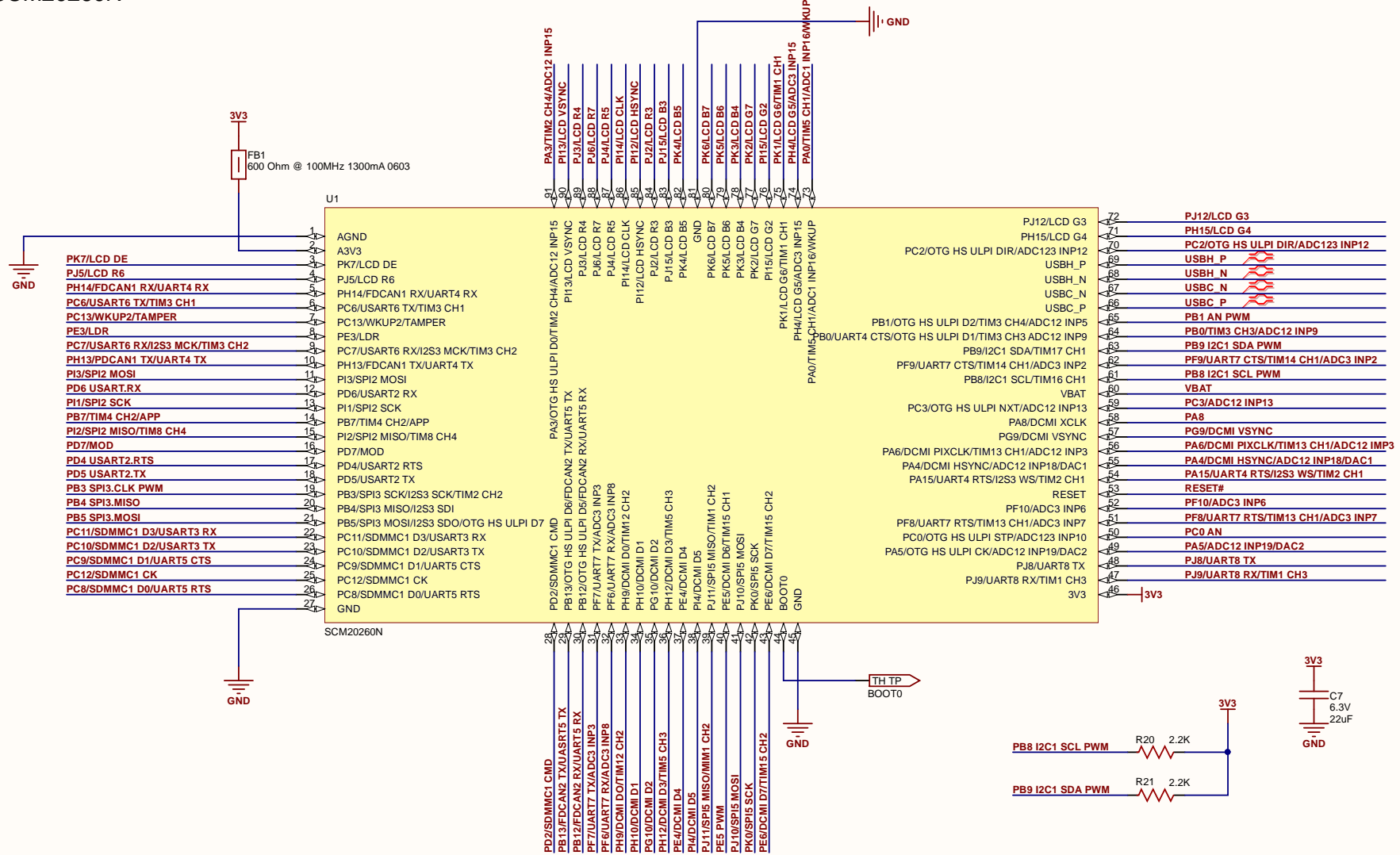
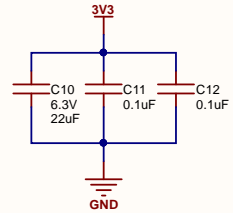
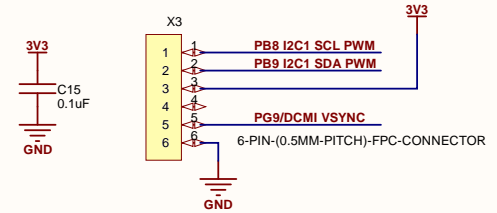
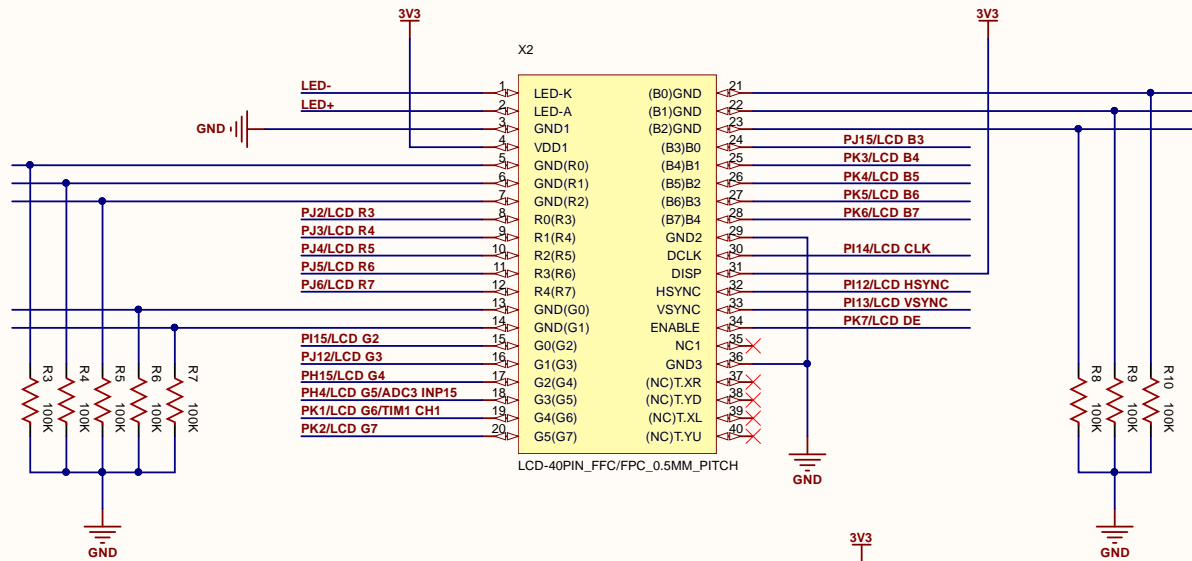
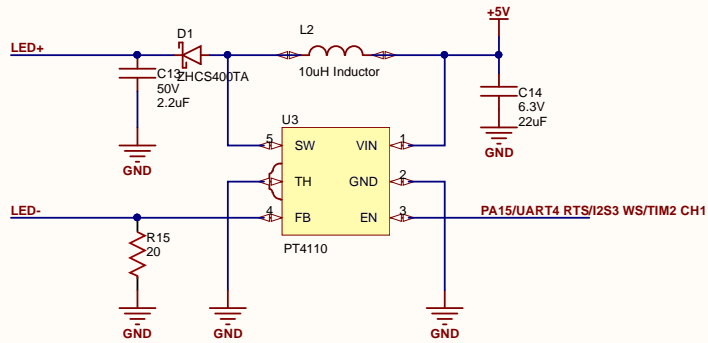



SCM20260N



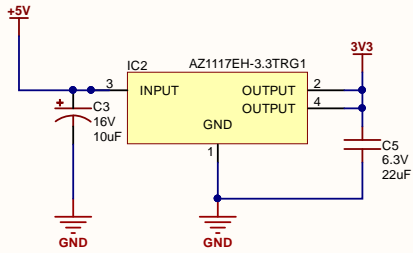
Title FEZ Portal - Micro		501 E Whitcomb Avenue Madison Heights, MI 48071 USA		
Size: A4	Number:	Revision: C		
Date: 7/2/2020	Sheet 1 of 4			
File: C:\Users\GHI\GHI Electronics\Engineering - Documents\Hardware\PCB Design\SITCore\FEZ-Portal\Rev C\Micro.Sch				

DISPLAY

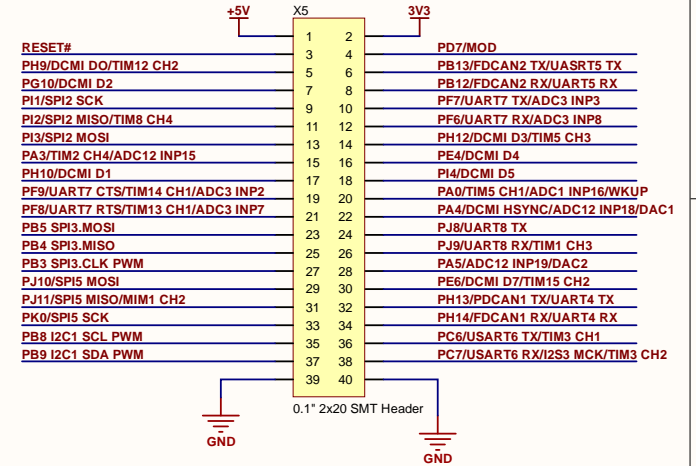


Title FEZ Portal - Display		501 E Whitcomb Avenue Madison Heights, MI 48071 USA	
Size: A4	Number:		
Date: 7/2/2020	Revision: C	Sheet 2 of 4	
File: C:\Users\GHI\GHI Electronics\Engineering - Documents\Hardware\PCB Design\SITCore\FEZ-Portal\Rev C\Display.S			

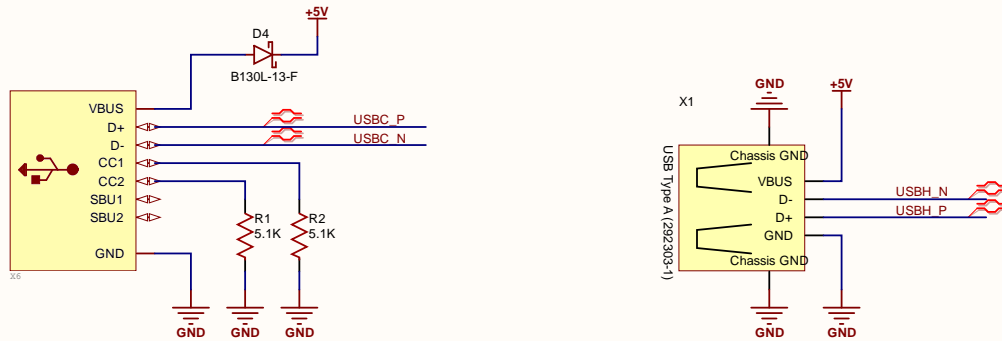
POWER



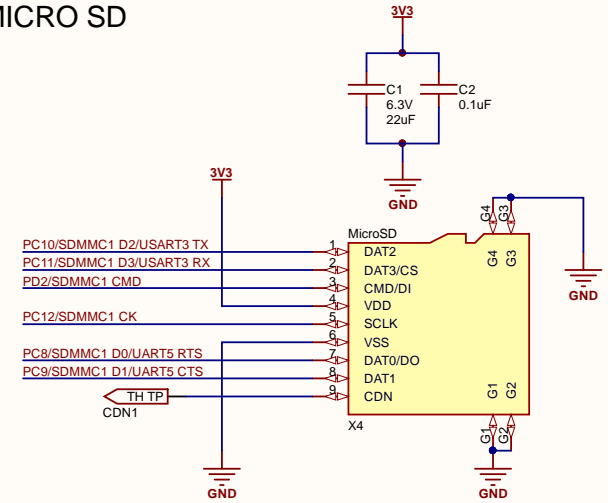
IO HEADER



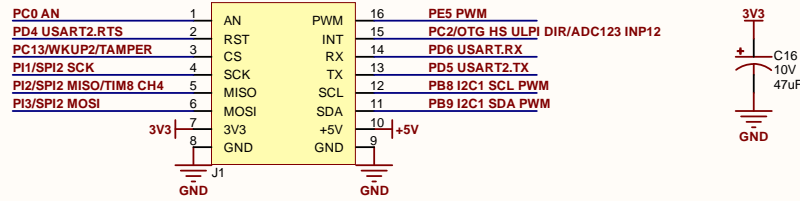
USB



MICRO SD



MIKROEBUS



Title **FEZ Portal - Connectors**

Size: A4

Number:

Revision: C

Date: 7/2/2020

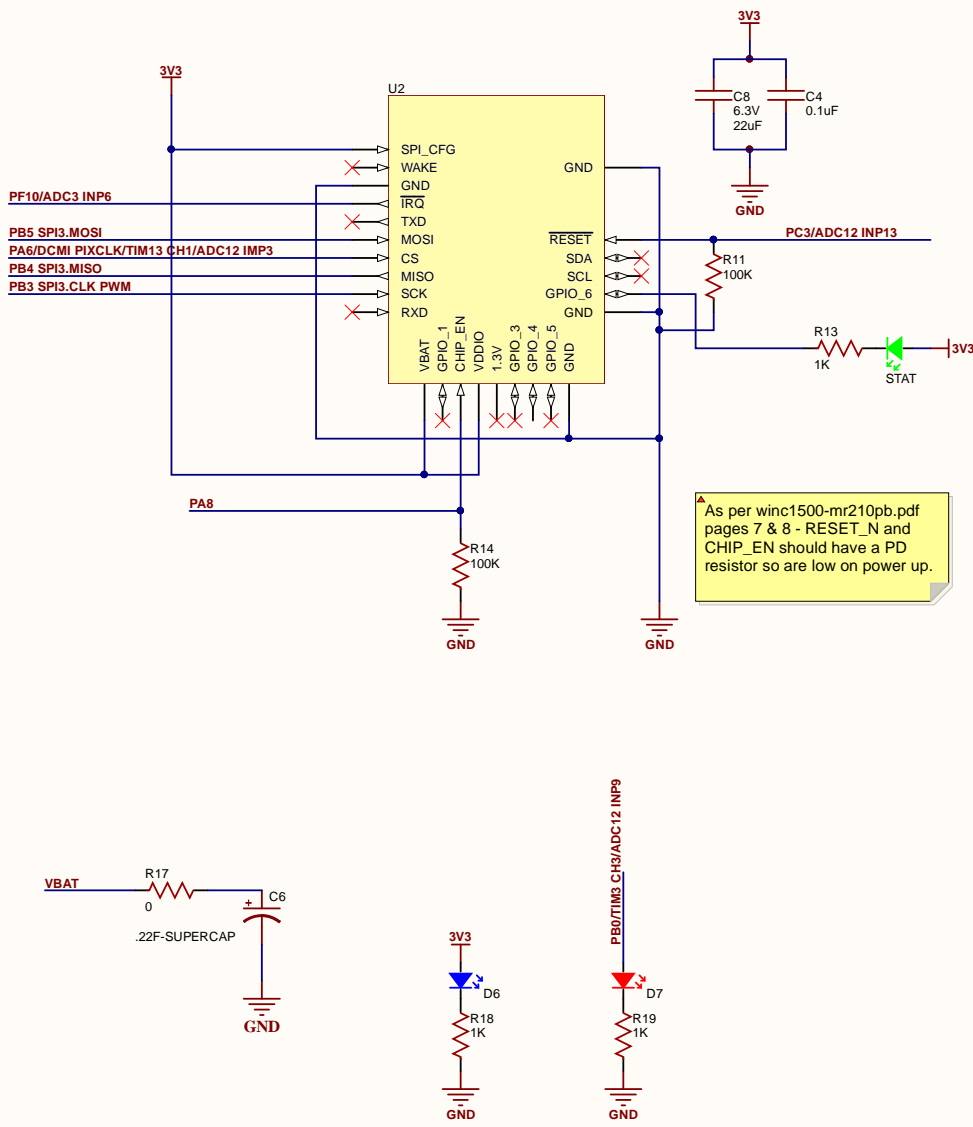
Sheet 3 of 4

File: C:\Users\GHI\GHI Electronics\Engineering - Documents\Hardware\PCB Design\SITCore\FEZ-Portal\Rev C\Connectors

501 E Whitcomb Avenue
Madison Heights, MI 48071
USA

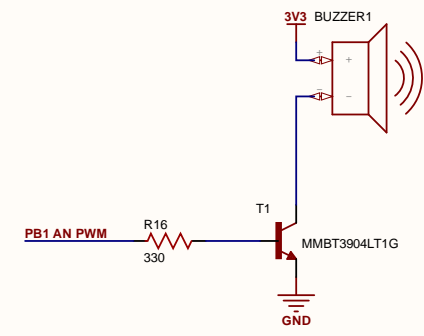


WIFI

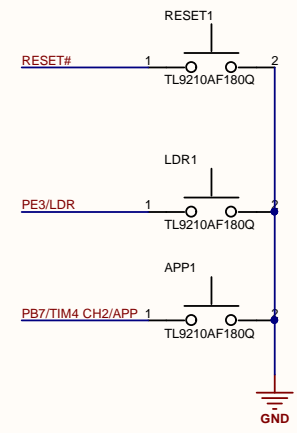


As per winc1500-mr210pb.pdf pages 7 & 8 - RESET_N and CHIP_EN should have a PD resistor so are low on power up.

BUZZER



BUTTONS



Title FEZ Portal - WiFi		501 E Whitcomb Avenue Madison Heights, MI 48071 USA	
Size: A4	Number:		
Date: 7/2/2020	Revision: C	Sheet 4 of 4	
File: C:\Users\GHI\GHI Electronics\Engineering - Documents\Hardware\PCB Design\SITCore\FEZ-Portal\Rev C\Wifi.Sch			