
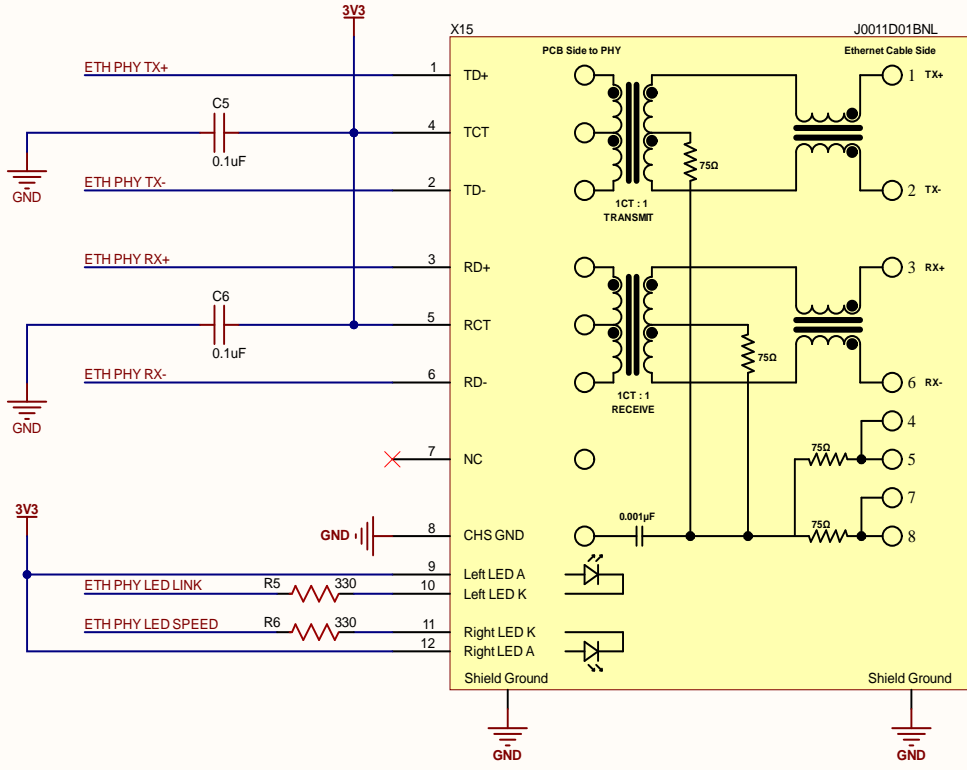
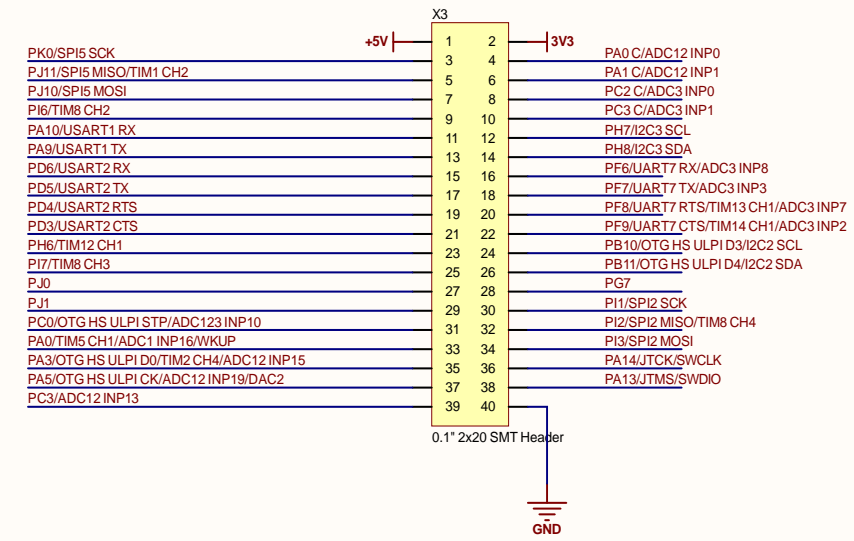
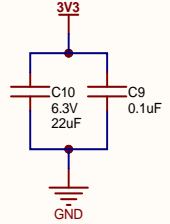
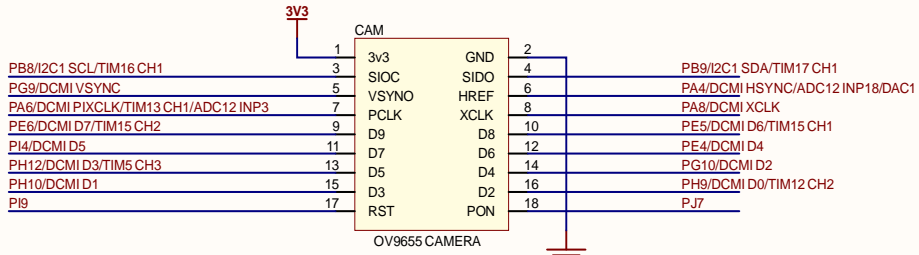
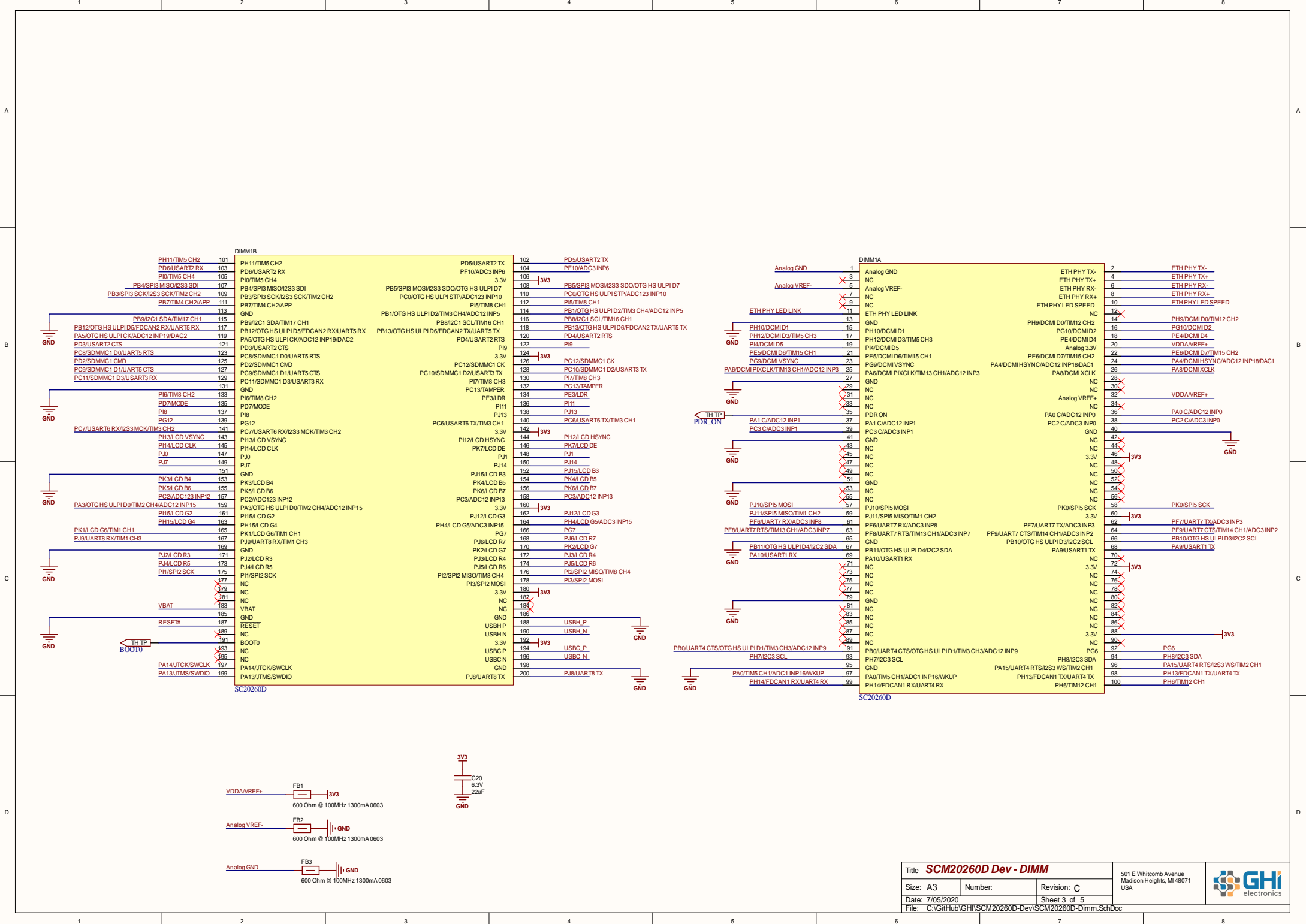
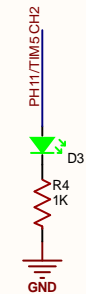
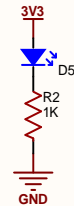
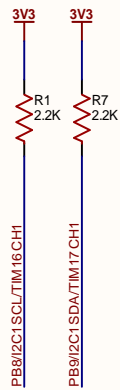
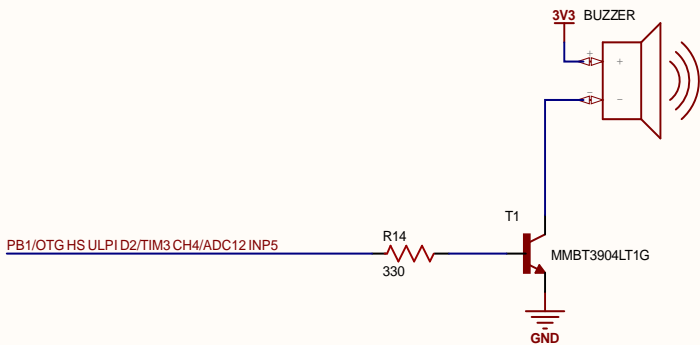
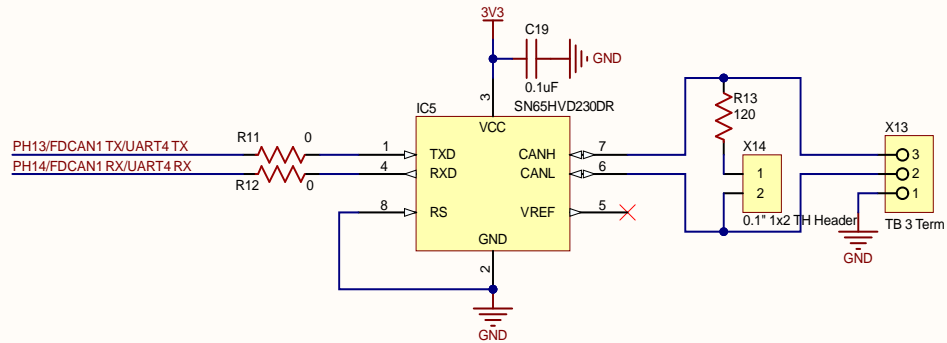
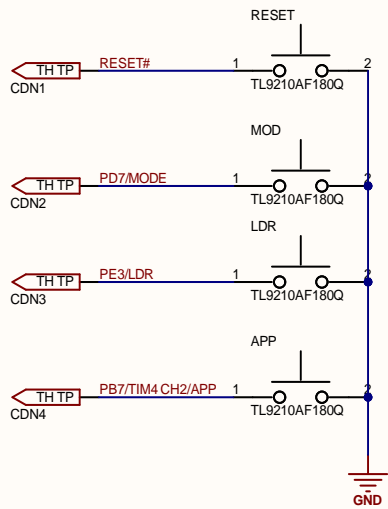


Title SCM20260D Dev - Connectors			501 E Whitcomb Avenue Madison Heights, MI 48071 USA	
Size: A4	Number:	Revision: C		
Date: 7/05/2020		Sheet 1 of 5		
File: C:\GitHub\GHI\SCM20260D-Dev\SCM20260D-Connectors.SchDoc				







Title **SCM20260D Dev - Misc**

Size: A4

Number:

Revision: C

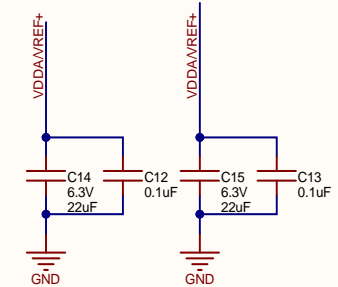
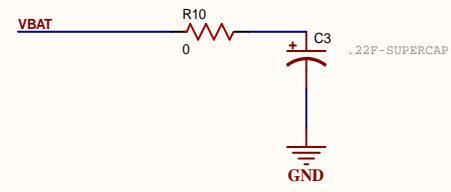
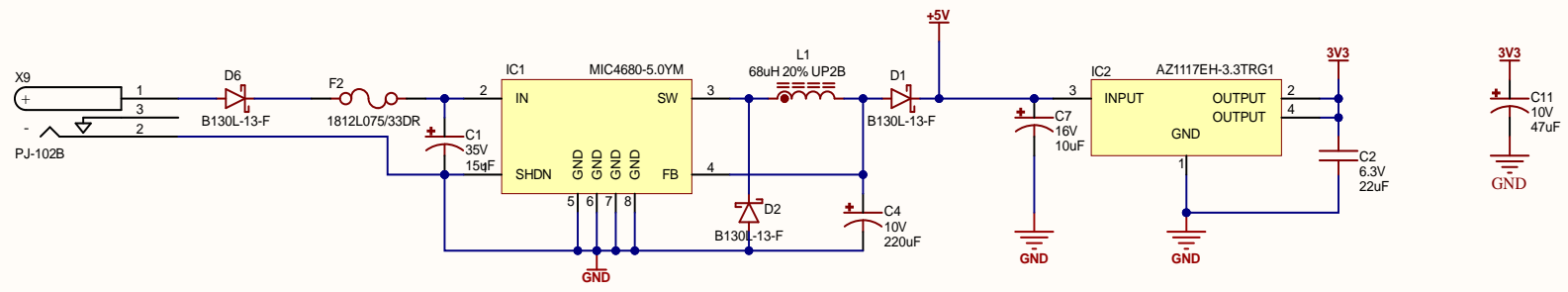
Date: 7/05/2020


Sheet 4 of 5

File: C:\GitHub\GHI\SCM20260D-Dev\SCM20260D-Misc.SchDoc

501 E Whitcomb Avenue
Madison Heights, MI 48071
USA





Title SCM20260D Dev - Power		501 E Whitcomb Avenue Madison Heights, MI 48071 USA	
Size: A4	Number:		
Date: 7/05/2020		Sheet 5 of 5	
File: C:\GitHub\GHI\SCM20260D-Dev\SCM20260D-Power.SchDoc			