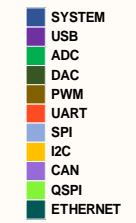
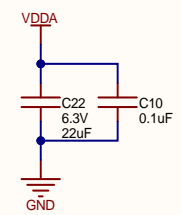
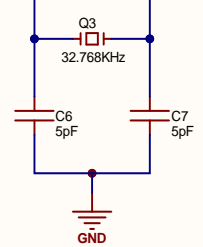
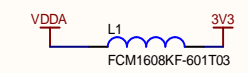
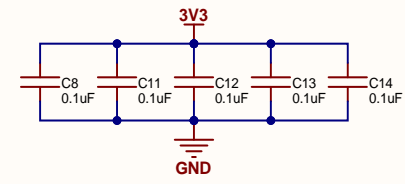
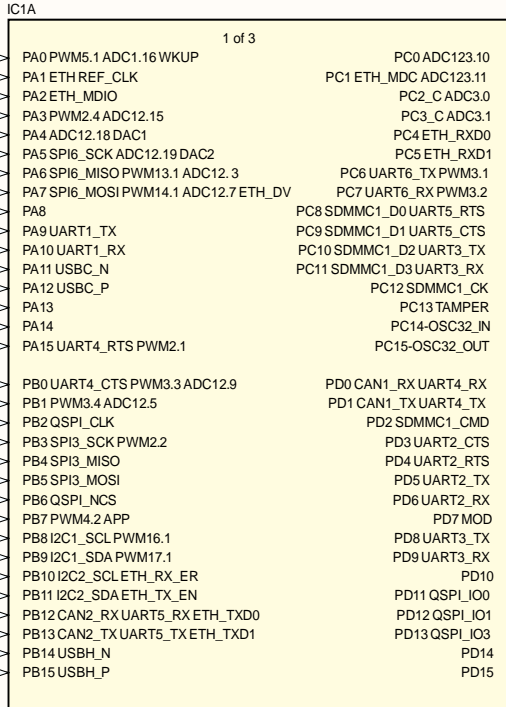
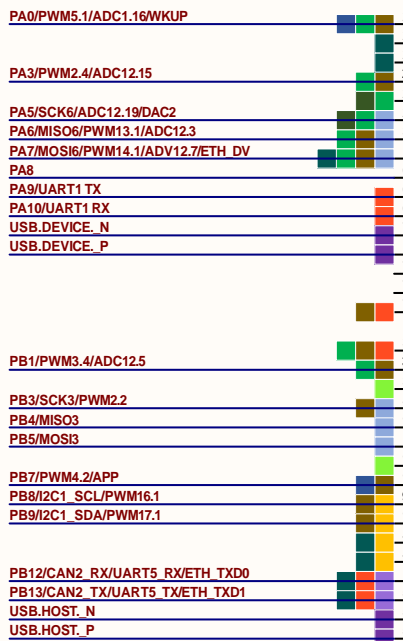
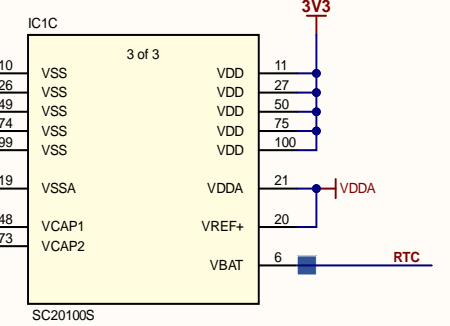
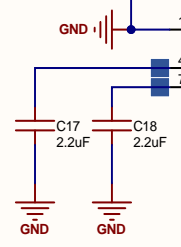
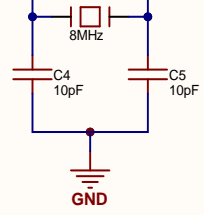
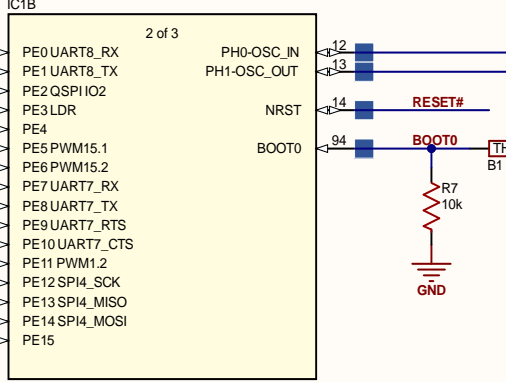
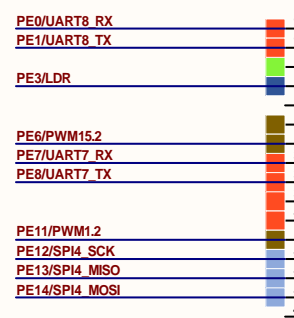


# Micro



SC20100S



SC20100S

Title **FEZ Feather - Micro**

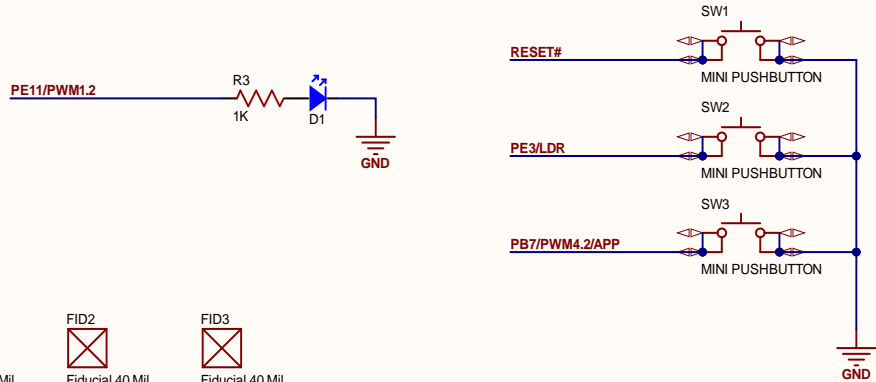
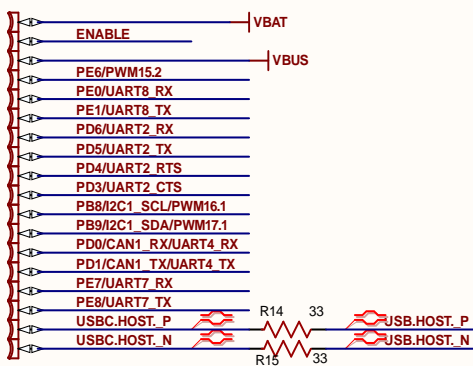
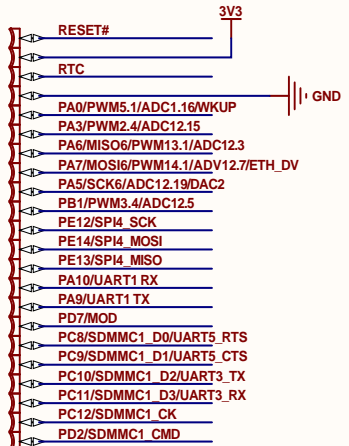
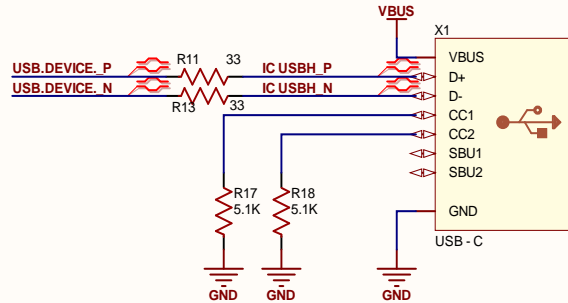
Size: A4 Number: Revision: B

Date: 7/05/2020 Sheet 1 of 2

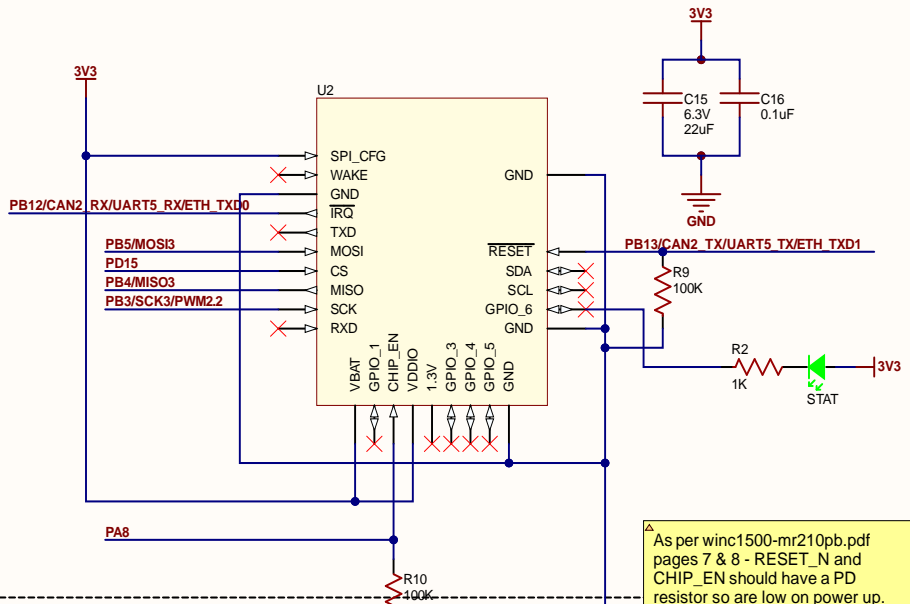
File: C:\GitHub\GHI\FEZ-Feather\FEZ-Feather-Micro.SchDoc

501 E Whitcomb Avenue  
Madison Heights, MI 48071  
USA





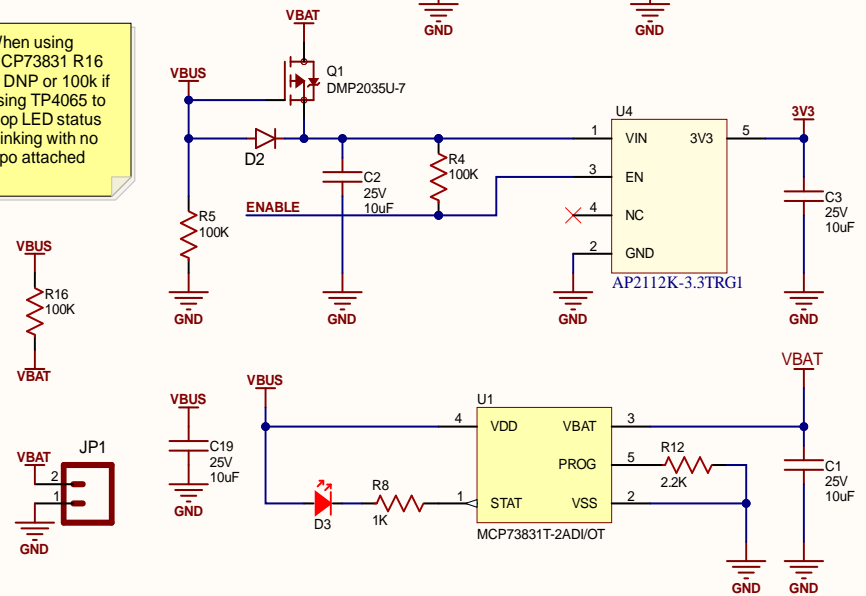
### WiFi



As per winc1500-mr210pb.pdf pages 7 & 8 - RESET\_N and CHIP\_EN should have a PD resistor so are low on power up.

### POWER

When using MCP73831 R16 is DNP or 100k if using TP4065 to stop LED status blinking with no Lipo attached



Title <b>FEZ Feather</b>			501 E Whitcomb Avenue Madison Heights, MI 48071 USA	
Size: A4	Number:	Revision: B		
Date: 7/05/2020		Sheet 2 of 2		
File: C:\GitHub\GHI\FEZ-Feather\FEZ-Feather-Misc.SchDoc				